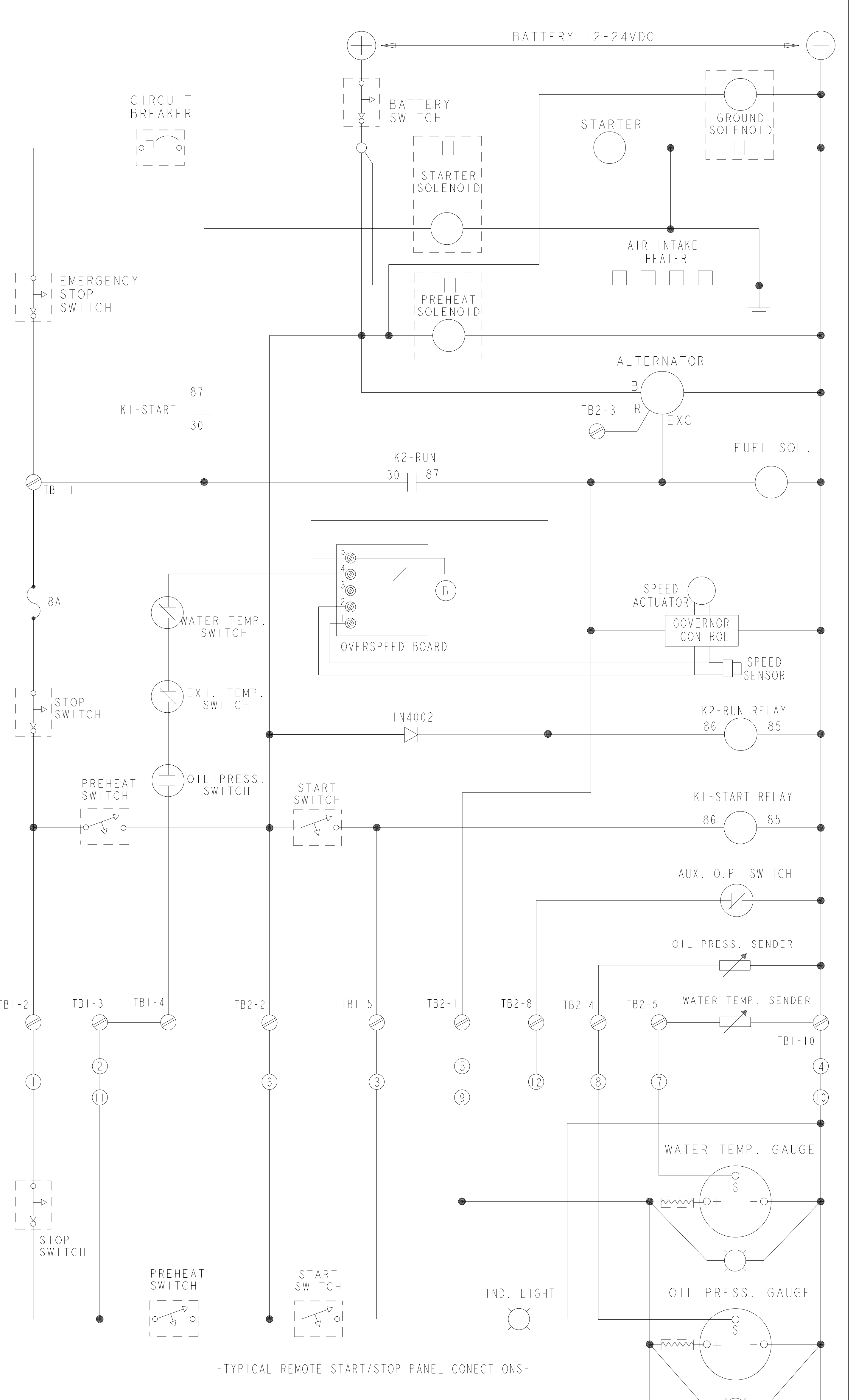


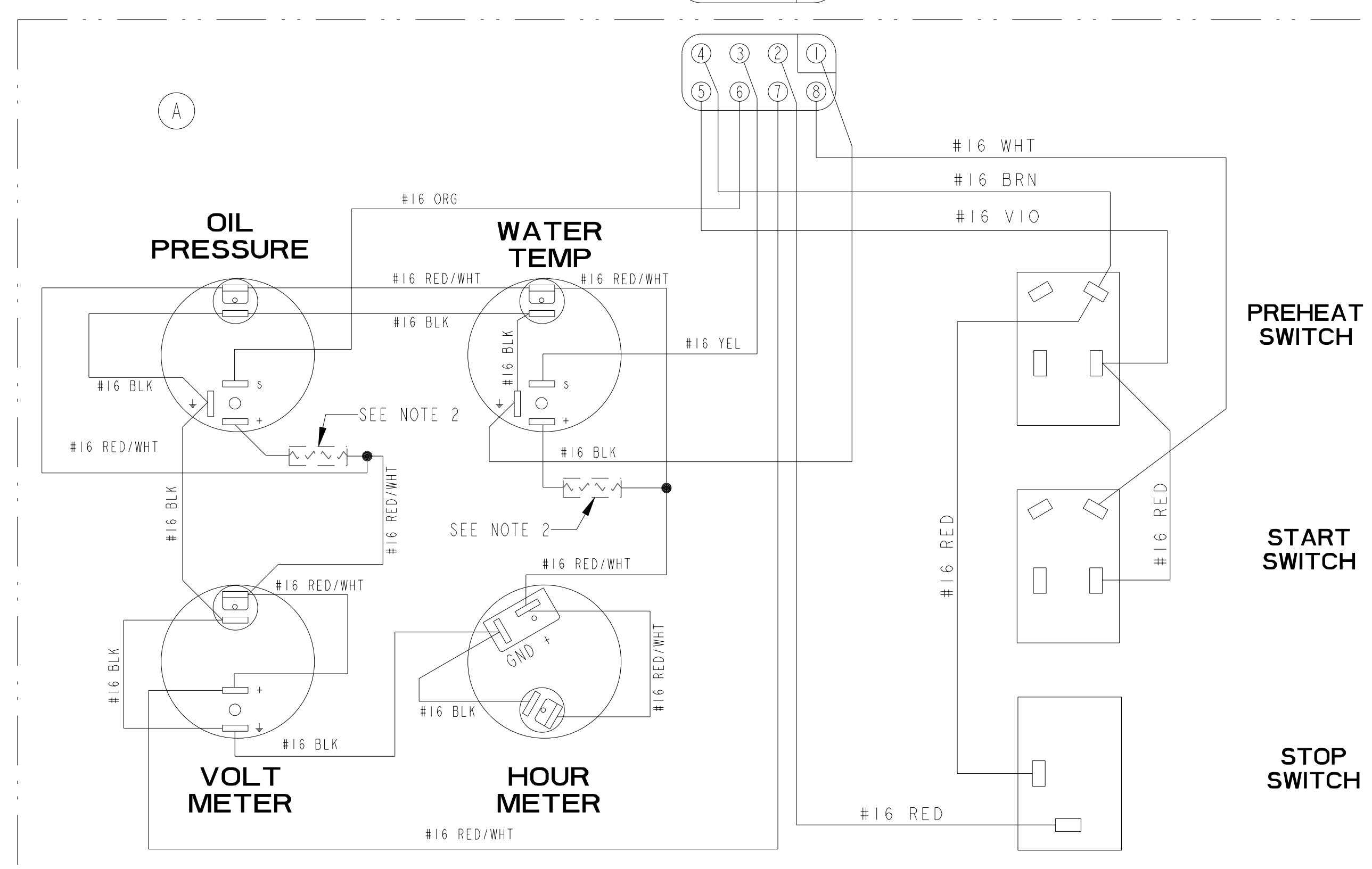
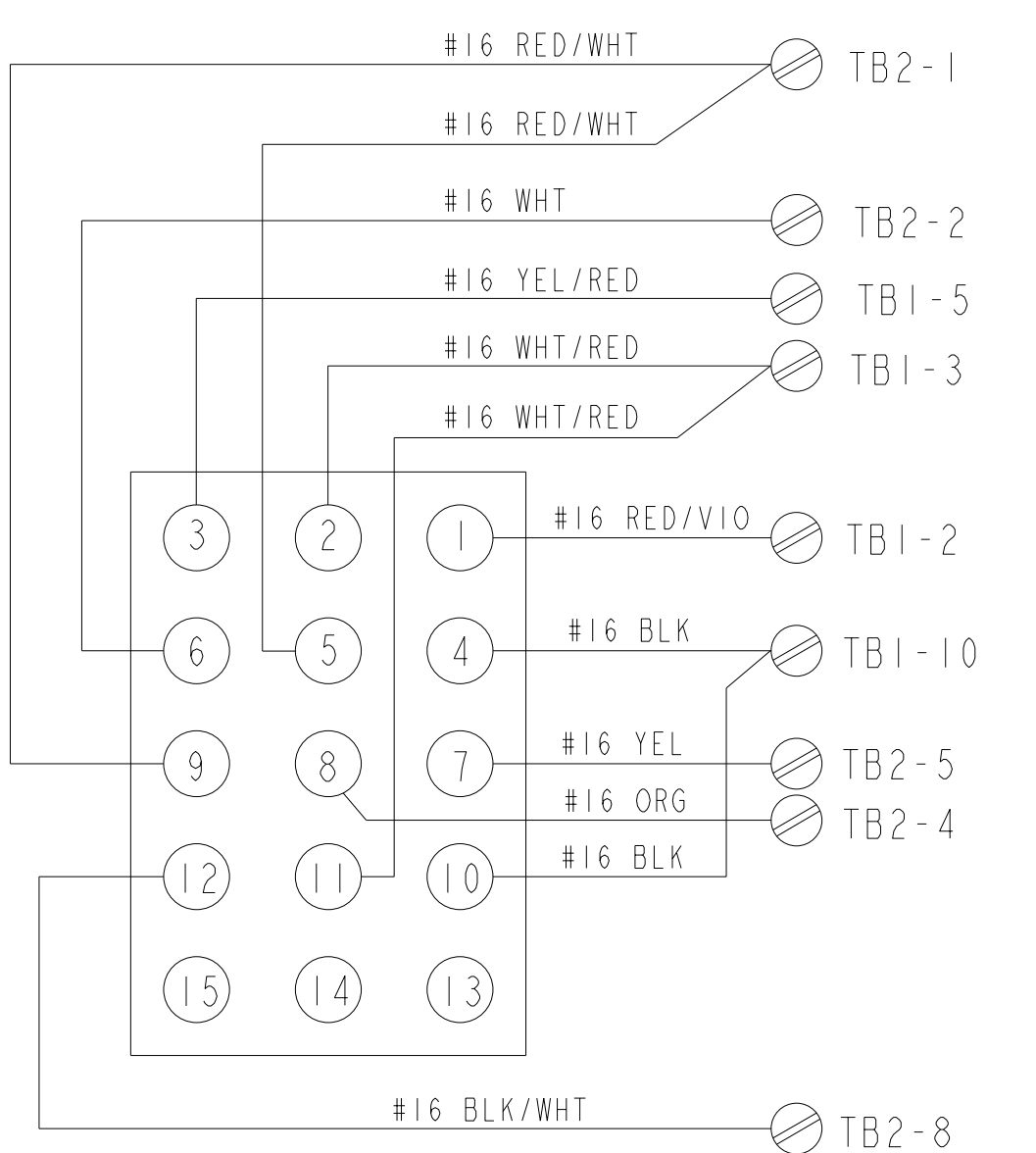
ALTERNATOR, 51A - 12 VDC UNG



-TYPICAL REMOTE START/STOP PANEL CONNECTIONS-

NOTE:
 ○ 1. REMOTE CONNECTOR PINS
 (A) 2. FOR 24 VOLT SYSTEM, USE 150Ω RESISTOR AS SHOWN.

NOTE:
 1. REMOVE JUMPER WHEN CONNECTING A SECOND REMOTE PANEL.



INSTRUMENT PANEL

TOLERANCES (UNLESS OTHERWISE NOTED)		WESTERBEKE CORPORATION AVON MA. 02322	
INCHES XX : .005 XXX : .0025 ANGLES : .2° FINISH : 32	MILLIMETERS X : .15 XX : .075 XXX : .05	TITLE WIRING DIAGRAM/SCHEMATIC, 32.0 BEDA 12-24VDC UNGROUNDED - SRC	DATE 27 JUL 01
DIMENSIONS (WHEN APPLICABLE)		SCALE NONE	SIZE DRAWING NUMBER E 46482
5536	4-29	B	ADDED OVERSPEED BOARD
5121	11/19/01	A	GAUGES CHANGED; RETIRED INSTRUMENT PANEL CORRECTED SCHEMATIC
ECO NO.	DATE	REV.	REVISION RECORD